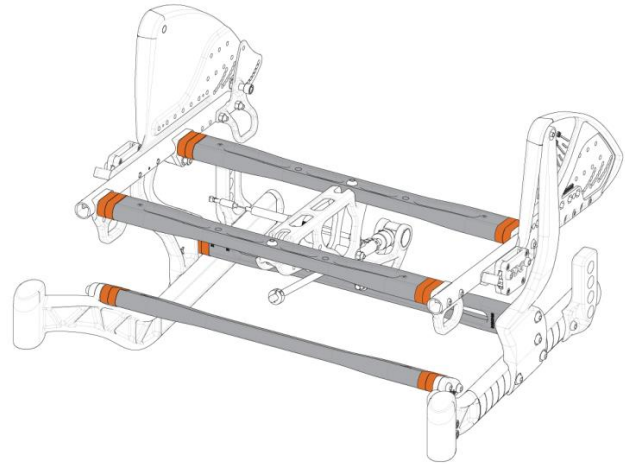


Fuze Series

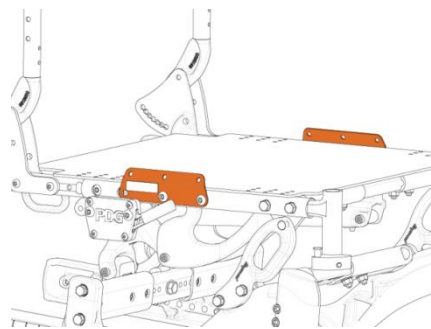
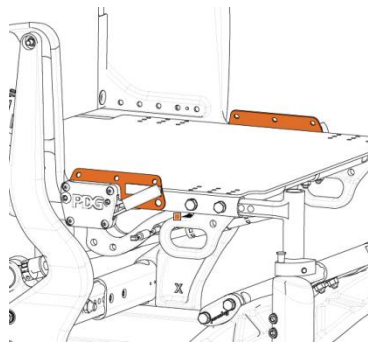
i. **Seat Widths of 23" & 24" for the T50**

The Fuze T50 with fixed seat widths is now available in 23" and 24" seat widths and continues to support a 350lbs weight capacity. This expansion provides users who require a higher weight capacity the option of wider chair widths. The increase seat width is achieved using the forged crossbar with single and double spacer extensions. To ensure the chair weight capacity of 350 lbs*, the new wider seat widths require and are offered with the flat-free rear wheel.



* Transit tie down not compatible for 350lbs weight capacity

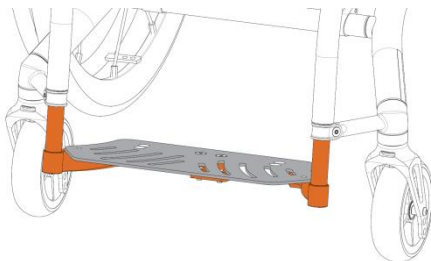
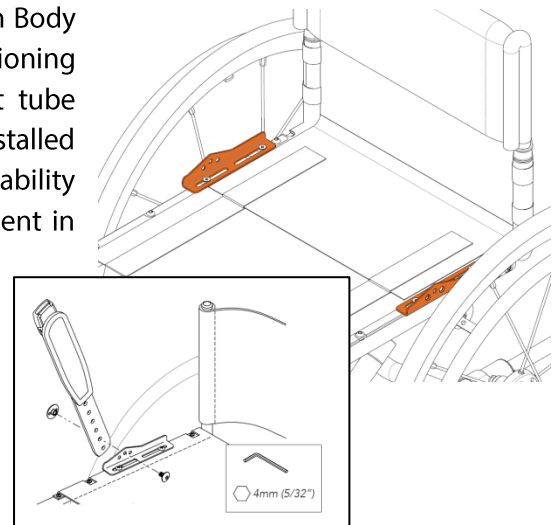
- ii. **Forward Mounted Lap Belt:** PDG now offers a lap belt mounting plate for both the Fuze T50 and T20. This option provides improved lap belt mounting compatibility for the Fuze series.



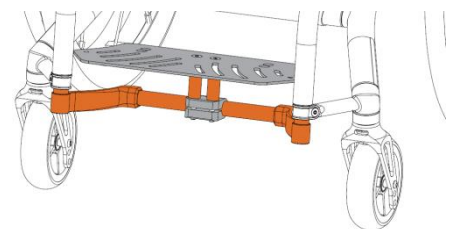
ELEVATION

- i. Pelvic Stabilizer Belts:** The Elevation is now available with Body Point's EvoFlex™ Pelvic Stabilizer Belt. This push button positioning strap is mounted directly to the seat rails using the seat tube mounting bracket (HW312-KIT). These brackets are easily installed and combined with the EvoFlex™ belt offer the most adjustability across the mid-thighs preventing unwanted lateral movement in the legs, improving stability when rolling.

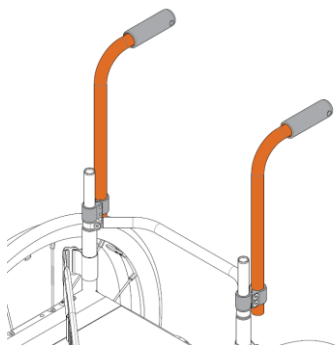
This complimentary accessory is recommended for Elevation users who do not need very much seat elevation or who do not want the lifting anti-shearing feature engaged because they prefer to open their hip angles for respiration or to maintain full weight-bearing on their feet.



- ii. Flip-Up & Angle Adjustable Footrest:** Provides clearance for standing transfers and the angle adjustable options allows for better feet positioning.

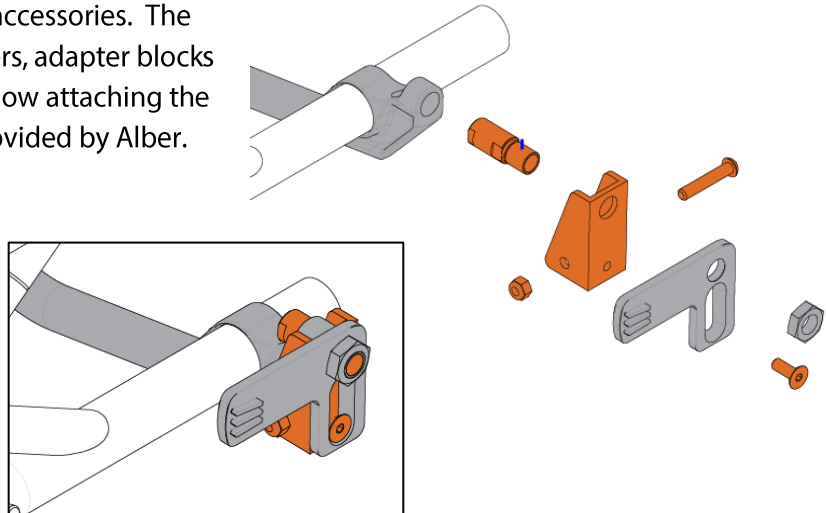


- iii. High Mount Footrest:** Provision for users with shorter leg lengths.



- iv. Cane Style Backrest:** Facilitates attendant propulsion

- v. **Alber Wheel Adapter Plate:** PDG has design an Adapter block for the Alber Wheel accessories. The option includes a set of axle receivers, adapter blocks and the appropriate hardware to allow attaching the Alber Wheel mounting brackets provided by Alber.



- vi. **Pricing, Data Analysis, and Coding (PDAC)- K0108 code verification for Elevation:** PDG would like to announce that we have recently received our FINAL PDAC code verification on the Elevation. The Elevation Accessory – “Anterior Tilt/Elevate” accessory has been reviewed by PDAC and approved for the HCPCS code K0108, the miscellaneous HCPCS code for Complex Rehab Technology (CRT).

In summary the following HCPCS code(s) listed below should be used when billing the Durable Medical Equipment Medicare Administrative Contractors (DME MACs):

- The frame is an ultralight frame, either K0005 or E1235 (for pediatric sizes)
- The Dynamic Recline accessory is a Semi-Reclining Back E1225
- The Elevation feature is a K0108



900 42nd Street South
Fargo ND 58103

November 7, 2017

PDG PRODUCT DESIGN GROUP INC
366 EAST KENT AVE S
VANCOUVER BC V5X 4N6
CANADA

Re: Assigned HCPCS Code for DME Billing

Xref: 73898769

MANUAL SEMI-RECLINE BACK	PDG PRODUCT DESIGN GROUP INC	2001001	E1225
ANTERIOR TILT/ELEVATION SYSTEM WITH LINKED BACK	PDG PRODUCT DESIGN GROUP INC	56789	K0108
WHEEL MOUNT ADAPTER FOR PUSH RIM ACTIVATED POWER ASSIST SYSTEM	PDG PRODUCT DESIGN GROUP INC	90005	A9900

Dear Pat Chalf

The Pricing, Data Analysis, and Coding (PDAC) Contractor has reviewed the product(s) listed above and approved the listed Health Care Procedure Coding System (HCPCS) code(s) for billing the four Durable Medical Equipment Medicare Administrative Contractors (DME MACs).

The PDAC Contractor provides coding assistance to manufacturers to ensure proper coding of Durable Medical Equipment, Prosthetics, Orthotics, and Supplies (DMEPOS). The PDAC publishes coding guidelines based on the coding guidelines established by the Local Coverage Determinations (LCDs) and associated Policy Articles and any related Advisory Articles established by the DME MACs. All products submitted to the PDAC for a coding verification review are examined by coders and professionals following a formal, standardized process.

The PDAC has reviewed the above listed product(s). Based on this review and application of DME MAC policy, the HCPCS code(s) listed below should be used when billing the DME MAC:

E1225 - WHEELCHAIR ACCESSORY, MANUAL SEMI-RECLINING BACK, (RECLINE GREATER THAN 15 DEGREES, BUT LESS THAN 80 DEGREES), EACH
K0108 - WHEELCHAIR COMPONENT OR ACCESSORY, NOT OTHERWISE SPECIFIED

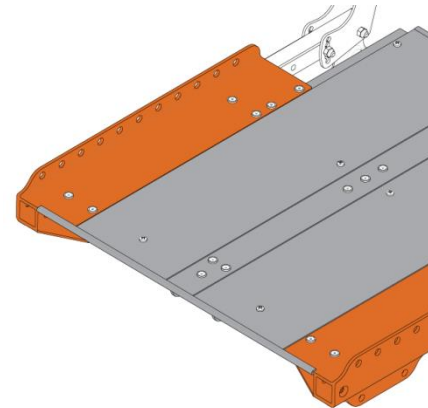
A CMV Medicare Administrative Contractor



Bentley/Stellar/GL/LEAP Series

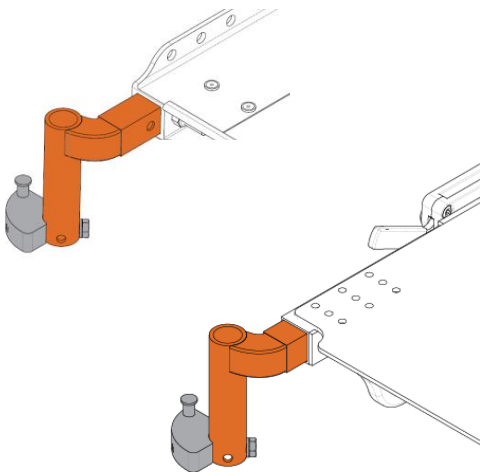
i. Extended flange of G2 upper frame

Following field requests, we have extended the flange on the G2 upper frame allowing for improved accessory mounting capabilities



Other options

- i. Offset Front Rigging Hangers for the Stellar/Bentley/GL & FUZE:** PDG now offers an offset front rigging mount of 1". This option will allow for improved provision for hip abduction by providing more clearance for lateral hip and thigh support.



All these product offerings and options are now available on the latest revision of our order forms which can be found at PDGmobility.com.